



THE MOST AWARD-WINNING ELECTRIC TORQUE MULTIPLIER

(See page 3 for details.)

LITHIUM SERIES® II Electric Torque Tool

The LITHIUM SERIES® II Electric Torque Tool is the next revolution in bolting technology redesigned from the ground up with expanded functionality, greater durability, and intuitive usability. This lightweight 36 Volt battery powered tool, with capacity up to 5,000 ft-lbs, is the ultimate solution for strength and portability in industrial bolting jobs worldwide. This tool is compatible with conventional sockets, the HYTORC Washer, and the HYTORC Nut.

FEATURE LIST



- **TorcSense™ Technology**
- **Brushless Motor**
- **All Aluminum Housing**
- High Strength Gearbox
- Nickel Plated
- Rear Shock Guard
- Work Light
- High Resolution Display
- **Directional Switch**
- Snug Function
- **Intuitive User Interface**
- Access Levels
- Data Acquisition
- **Bluetooth Wireless Technology**
- Expanded Job Data Management
- Advanced Bolting Features
- **Compatible with HYTORC Nut**
- **Compatible with HYTORC Washer**

▪ Look inside for detailed information about the highlighted features above.

TESTIMONIAL

"I HAVE BEEN AROUND PLENTY OF BOLTING TOOLS, SEEN MANY TOOLS USED. BUT THIS IS REALLY COOL! IT'S LIGHTER THAN I EXPECTED, IT'S REALLY FOOL PROOF, AND SO SIMPLE THAT ANYONE CAN GET THE JOB DONE. THE GUYS ARE GOING TO BE ABLE TO WORK LONGER AND SAFER, WHILE STILL GETTING THE JOB DONE RIGHT. I LOVE IT!"

Kyle Chambers
Texas Quality Assurance



TorcSense™ Technology



A direct torque measurement system utilizing a strain based transducer in a closed loop monitoring system provides more repeatable torque and enables advanced bolting features.

BRUSHLESS 36V DC MOTOR



The tool uses an all new 36V brushless DC motor which runs cooler, quieter, and has significantly longer life.

INTUITIVE USER INTERFACE



The home screen and menu structure have been redesigned with all new icons, indicators, and simple navigation layout making the tool intuitive and simple to use.

HYTORC



AWARD-WINNING DESIGN

PRO TOOL INNOVATION AWARD 2019



This award honors the LITHIUM SERIES II Tool as the very best and brightest industrial power tool available.

GOOD DESIGN AWARD 2019



This award honors the LITHIUM SERIES II Tool as the leader in design with innovation that has pushed the envelope in the world marketplace.

SPOTLIGHT ON NEW TECHNOLOGY 2019



This award recognizes the LITHIUM SERIES II Tool as a new and innovative technology that will make a major impact in the oil and gas industry.

BLUETOOTH WIRELESS TECHNOLOGY



Now standard with Bluetooth wireless technology, the tool makes data transfer easier than ever! Job data and tool firmware upgrades can now be performed wirelessly.

MULTIPLE TOOL CONFIGURATIONS



The tool is easily configured for conventional sockets and reactions arms, the HYTORC Washer System, and precision mechanical tensioning with the HYTORC Nut.

ALL-ALUMINUM HOUSING



The new all-aluminum housing vastly improves impact resistance and durability protecting the tool's vital components. The gearbox is also nickel plated for corrosion resistance.

DIRECTIONAL SWITCH



Conveniently located near the trigger, the sliding directional switch can quickly change drive direction from tighten and loosen with a simple push of a button.

HY-CARE

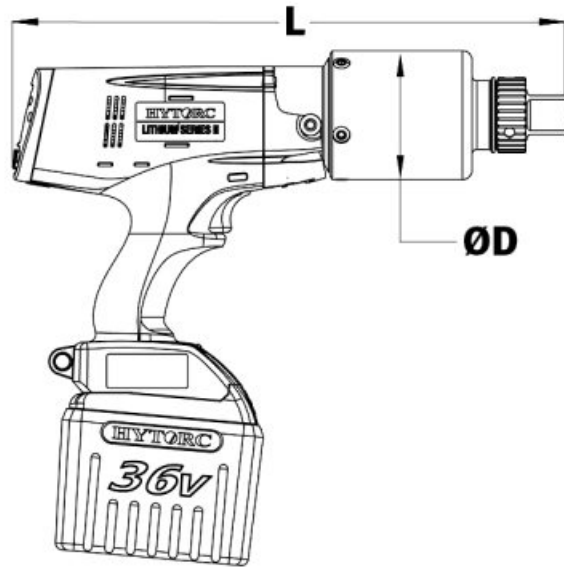
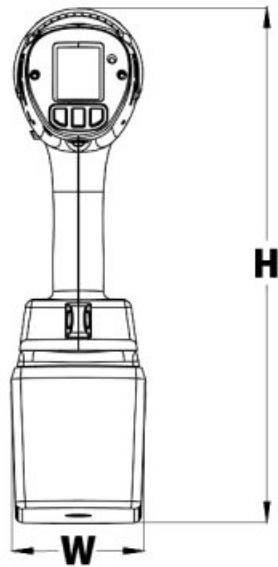


HY-CARE Service Plans* provide peace of mind protection and offer a no deductible plan to protect you from unexpected bolting equipment repair costs and downtime after your standard equipment warranty expires. On average, a tool with HY-CARE lasts up to five times longer in service. Never settle for less.

*May not be available in all locations. Please contact your local HYTORC representative for more information.

VISIT US ONLINE

- hytorc.com/hy-care
- hytorc.com/customer-service-policy
- hytorc.com/about-us



LEGEND: H = HEIGHT W = WIDTH L = LENGTH ØD = DIAMETER

CONFIGURATIONS	H	W	L	D	DRIVE	WEIGHT W/ BATTERY	SNUG		TORQUE	
IMPERIAL	in.					lbs.	ft-lbs (Min)	ft-lbs (Max)	ft-lbs (Min)	ft-lbs (Max)
LST-0700	12.9	3.5	11.4	2.6	3/4	11.7	35	149	150	700
LST-1200	12.9	3.5	11.7	2.6	3/4	12.0	60	199	200	1,200
LST-2000	13.2	3.5	13.9	3.2	1	16.6	100	324	325	2,000
LST-3000	13.3	3.5	14.4	3.4	1	17.7	150	499	500	3,000
LST-5000	16.6	4.0	15.4	4.0	1-1/2	22.4	200	799	800	5,000
METRIC	mm				in.	kg	Nm (Min)	Nm (Max)	Nm (Min)	Nm (Max)
LST-0700	328	89	290	66	3/4	5.3	47	202	203	949
LST-1200	328	89	297	66	3/4	5.5	81	270	271	1627
LST-2000	335	89	353	81	1	7.5	135	439	440	2712
LST-3000	338	89	366	86	1	8.0	203	676	677	4067
LST-5000	422	102	391	102	1-1/2	10.2	270	1083	1085	6779

COMPLETE KIT CONTENTS

- LITHIUM SERIES II Tool
- Reaction Arm
- Storage Case
- 36V Battery
- Battery Charging System
- Side Handle
- Calibration Certificate
- Operation Manual

LST

Model:
LITHIUM SERIES TOOL

Capacity:
Available: 0700, 1200,
2000, 3000, 5000

Communication:
Blank: Bluetooth Communication
U: USB Only

Examples:

1. LST-0700 standard tool, 700 ft-lb capacity, with Bluetooth Communication
2. LST-0700-U standard tool, 700 ft-lb capacity, without Bluetooth – USB Connection Only

HYTORC owns all content, copyrights, trademarks and patents in this document. © 2020 HYTORC. Any unauthorized use or distribution of any material from this document is strictly prohibited.



ADVANCED BOLTING SOLUTIONS PVT. LTD.

HO: "ABS House", Plot No. W-116 (A),
T.T.C. Industrial Area, MIDC Khairane,
Navi Mumbai - 400 710.

Tel: +91 22 3526 4444
E-mail: sales@absgroup.in
Web: www.absgroup.in



HYTORC CONNECT APP

The **HYTORC Connect App** enables wireless data exchange between the **LITHIUM SERIES® II Electric Torque Tool** and a Windows® 10 PC or tablet using Bluetooth Wireless Technology®. The App provides vastly simplified connection to the tool and a means to enter bolting parameters on the PC and transfer them to the tool to speed the setup of bolting operations. The App manages all detailed bolting results on the PC where the documentation can be organized, reviewed and saved.

WIRELESS CONNECTION



The Connect App automatically locates the **LITHIUM SERIES® II Electric Torque Tool**. With a single push of the button the PC App synchronizes with the tool using **Bluetooth Wireless Technology** saving time and effort to connect the tool for data exchange.

TOOL CONFIGURATION



The Connect App provides a simplified graphical interface allowing the user to enter all tool profile, job and administrative setup data on the PC keyboard. Just a single button push and all information is transferred from the PC to the tool saving significant time.

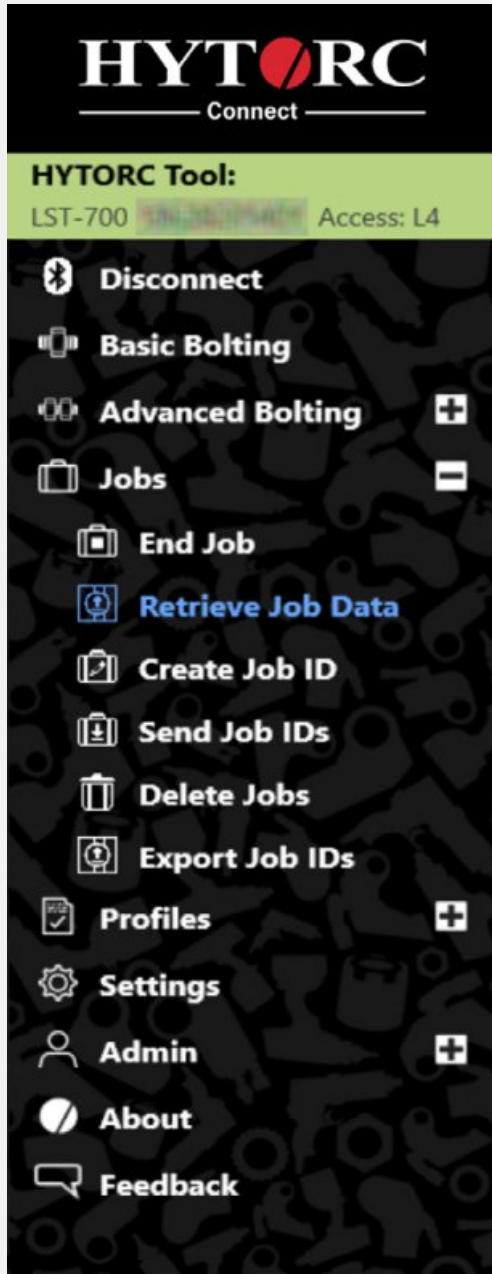
JOB DATA MANAGEMENT



The App manages transfer of all bolting results from the Tool to PC saving time in completing job documentation. The App also provides a means to display the results in real time so the progress can be monitored to improve overall job quality.

INTUITIVE GRAPHICAL PC INTERFACE

The HYTORC Connect App provides an intuitive graphical PC interface simplifying navigation of the menu and data entry. The PC menu mirrors the menu and functionality on the tool so tool users can get started immediately taking advantage of the time savings associated with the App.



Tool Connection: Easily select and connect with tools via Bluetooth® Wireless Technology.

Basic Bolting: Configure tool parameters such as Torque, Snug, Angle, Release and Fastener type.

Advanced Bolting: Easily configure and manage advanced tool features like Turn Angle, Torque Check and Rotations functions.

Jobs: Create Job IDs on the PC and collect job data from the tool. View and export a complete data record detailing each trigger pull.

Profiles: Create and edit bolting profile templates and send them to the tool. Profiles can be activated remotely or via the tool's user interface.

Settings: Configure tool settings remotely, such as Torque and Angle Limits, Units, Automatic Shutdown, and more.

Admin: Manage the tool's Access Levels, User ID, Flex Options, Shortcuts, and more.

AVAILABLE FOR DOWNLOAD AT THE MICROSOFT® STORE

HYTORC owns all content, copyrights, trademarks and patents in this document. © 2020 HYTORC. Any unauthorized use or distribution of any material from this document is strictly prohibited.

**ADVANCED BOLTING SOLUTIONS PVT. LTD.**

HO: "ABS House", Plot No. W-116 (A),
T.T.C. Industrial Area, MIDC Khairane,
Navi Mumbai - 400 710.

Tel: +91 22 3526 4444
E-mail: sales@absgroup.in
Web: www.absgroup.in



LION GUN® Electric Torque Tool

The LION GUN Electric Torque Tool with built-in data recording offers unmatched portability and convenience, making safe and accurate bolting simpler than ever. This 18-Volt battery powered tool, with capacity up to 700 ft-lbs, delivers industrial-grade power without the weight. Built-in data recording provides a permanent record of the work performed. This tool is compatible with conventional sockets, the HYTORC Washer, and the HYTORC Nut.

INDUSTRIAL-GRADE POWER



The LION GUN Tool's industrial-strength gear box is driven by a brushless DC motor connected to a non-impacting gearbox to deliver torque faster, smoother and more reliably than manual clicker wrenches, impact wrenches and other tightening tools.

UNMATCHED PORTABILITY



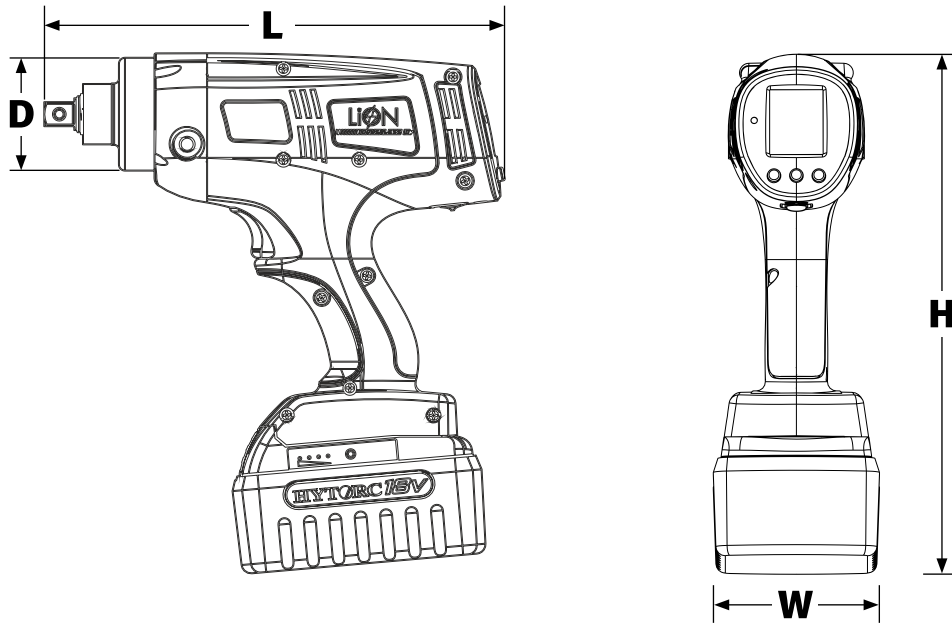
Through the use of aerospace-grade alloys, the LION GUN Tool packs tremendous power without the weight. The 18-Volt lithium-ion battery provides long lasting operation with a quick recharge time to keep the job going.

DATA RECORDING



Built-in data recording allows the user to maintain a log of all completed bolting jobs. For improved quality control and accountability, the information can be saved to a PC or tablet to provide a permanent record of the work performed.

ELECTRIC



LEGEND: H = HEIGHT W = WIDTH L = LENGTH D = DIAMETER

CONFIGURATION	H	W	L	D	SQUARE DRIVE	WEIGHT	TORQUE		RPM
IMPERIAL	in.					lbs.	ft-lbs (Min)	ft-lbs (Max)	
LIONGUN-.25	10.83	3.47	10.16	2.35	1/2	7.30	25	250	11.6
LIONGUN-.7	10.83	3.47	11.13	2.45	3/4	8.22	70	700	4.1
LIONGUN-.25-BSM	10.83	3.47	10.16	2.35	1/2	7.30	25	250	11.6
LIONGUN-.7-BSM	10.83	3.47	11.13	2.45	3/4	8.22	70	700	4.1

METRIC	mm				in.	kg	Nm (Min)	Nm (Max)	RPM
LIONGUN-.25	275	88	258	60	1/2	3.32	34	339	11.6
LIONGUN-.7	275	88	283	62	3/4	3.74	95	949	4.1
LIONGUN-.25-BSM	275	88	258	60	1/2	3.32	34	339	11.6
LIONGUN-.7-BSM	275	88	283	62	3/4	3.74	95	949	4.1

COMPLETE KIT CONTENTS

- LION GUN Electric Torque Tool
- Reaction Arm
- Storage Case
- 18V Battery
- Battery Charging System
- Operations Manual
- Calibration Certificate

CONFIGURATION

LIONGUN

Model:

LIONGUN Tool

Capacity:

Available: .25, .7

Communication:

BSM: Bluetooth Communication
Blank: USB Only

The World's Most Trusted Industrial Bolting Systems

HYTORC owns all content, copyrights, trademarks and patents in this document. © 2021 HYTORC. Any unauthorized use or distribution of any material from this document is strictly prohibited.



ADVANCED BOLTING SOLUTIONS PVT. LTD.

HO: "ABS House", Plot No. W-116 (A),
T.T.C. Industrial Area, MIDC Khairane,
Navi Mumbai - 400 710.

Tel: +91 22 3526 4444

E-mail: sales@absgroup.in

Web: www.absgroup.in



LION GUN® Electric Torque Tool - DUAL SPEED

The LION GUN Electric Torque Tool offers unmatched portability and convenience while making bolting safer, faster, and simpler than ever. Now available in Dual Speed, the LION GUN Tool shifts easily from high speed rundown to accurate torque mode, eliminating the need for multiple systems. This light-weight, 18 Volt battery powered tool driven by a brushless motor delivers up to 125 ft-lbs. The ergonomic pistol grip and an attachable side handle gives greater control on all bolting operations. Built-in data recording provides a permanent record of the work performed. This tool is compatible with conventional sockets, the HYTORC Washer, and the HYTORC Nut.

DUAL SPEED



The Dual Speed collar allows the user to quickly shift from high speed rundown to precision torque. The gear shifter has a knurled surface providing a firm grip for ease of shifting. The user can quickly rundown a fastener, then shift to high accuracy torque to bring fasteners to specification, all with one bolting system.

ERGONOMIC DESIGN



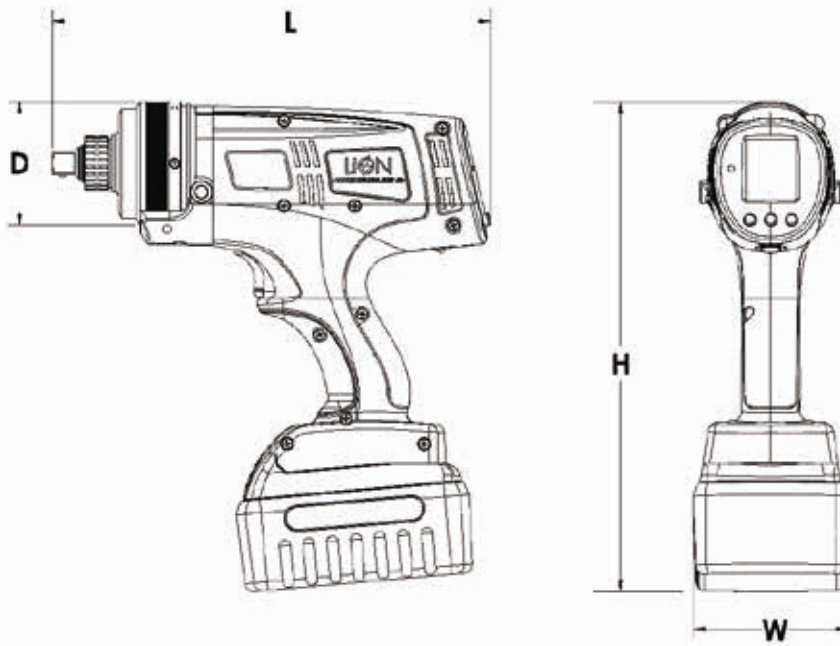
The ergonomic pistol grip and an attachable side handle gives greater control on all bolting operations. The side handle's ribbed surface provides a non-slip grip and can be conveniently installed on either side of the tool.

DATA RECORDING



Built-in data recording allows the user to maintain a log of all completed bolting jobs. For improved quality control and accountability, information can be saved to a PC or tablet to provide a permanent record of the work performed.

ELECTRIC



LEGEND: H = HEIGHT W = WIDTH L = LENGTH D = DIAMETER

MODEL NUMBER	H	W	L	D	SQUARE DRIVE	WEIGHT WITH BATTERY	TORQUE		RPM	
IMPERIAL				in.		lbs.	ft-lbs (Min)	ft-lbs (Max)	High	Low
LIONGUN-.125-BSM-DS	10.94	3.46	9.78	2.76	1/2	6.85	25	125	167	24
METRIC				mm		kg	Nm (Min)	Nm (Max)	High	Low
LIONGUN-.125-BSM-DS	278	88	284	70	1/2	3.1	33	170	167	24

COMPLETE KIT CONTENTS

- LION GUN Electric Torque Tool
- Reaction Arm
- Storage Case
- 18V Battery
- Battery Charging System
- Operation Manual
- Side Handle
- Calibration Certificate

LST

Model:
LION GUN TOOL

.125

Capacity:
Available: .125

BSM

Communication:
BSM: Bluetooth
Wireless Technology

DS

DUAL SPEED
DS: Dual Speed

The World's Most Trusted Industrial Bolting Systems

HYTORC owns all content, copyrights, trademarks and patents in this document. © 2022 HYTORC. Any unauthorized use or distribution of any material from this document is strictly prohibited.



ADVANCED BOLTING SOLUTIONS PVT. LTD.

HO: "ABS House", Plot No. W-116 (A),
T.T.C. Industrial Area, MIDC Khairane,
Navi Mumbai - 400 710.

Tel: +91 22 3526 4444
E-mail: sales@absgroup.in
Web: www.absgroup.in